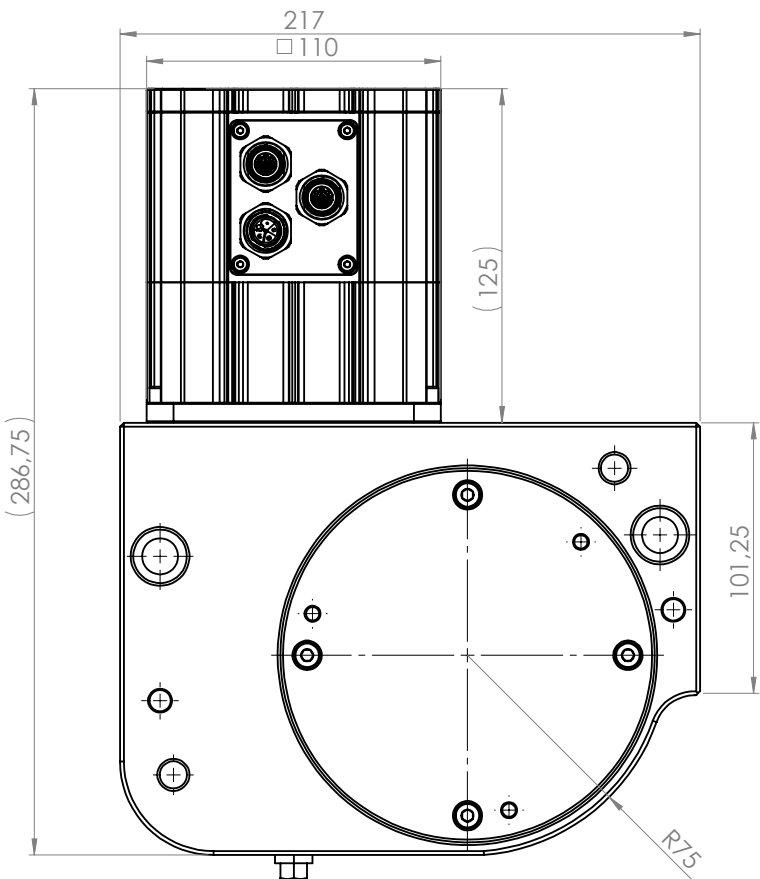


grease fitting

∅ 20

output shaft  
plain shaft for clutch or with feather key groove



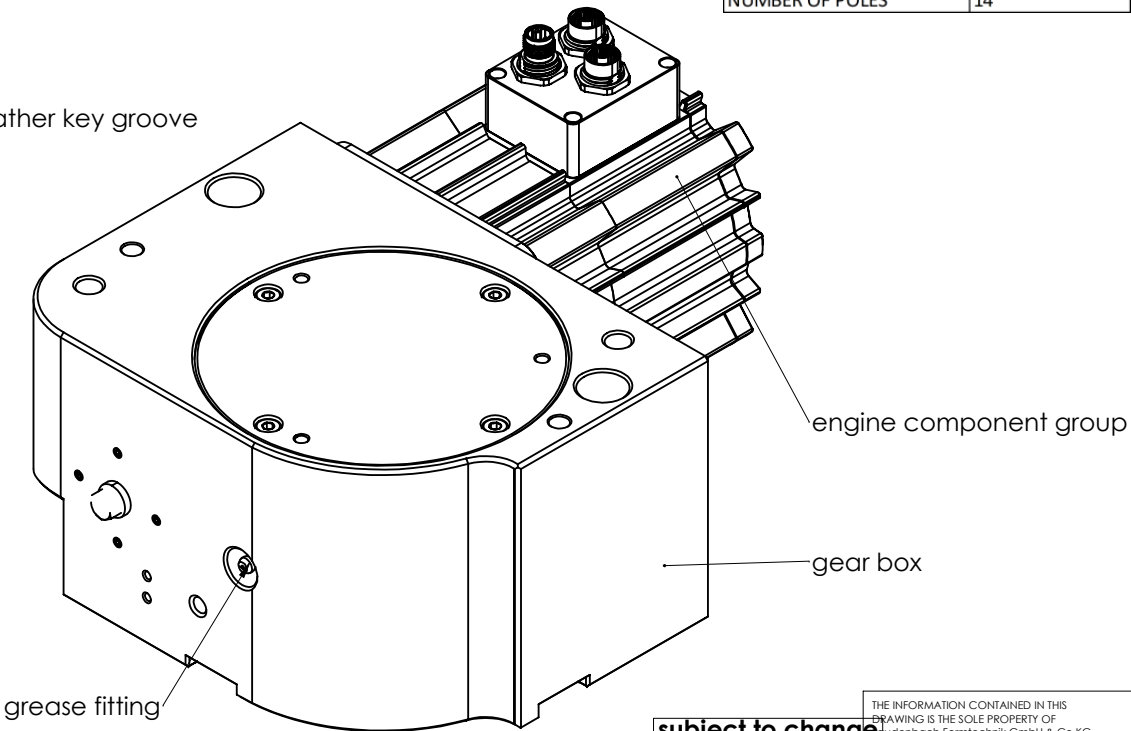
(286,75)

R75

12100_20_13_000X steering drive	
Driving torque at nominal data	30 Nm
Max driving torque	50 Nm
Output speed at nominal data	275 rpm
Reduction ratio	20
Gear box	worm gear

design concept

Data sheet motor	
SPECIFICATIONS	VALUE AND UNIT
RATED VOLTAGE	48 VDC
RATED SPEED	5510 rpm
FREE LOAD SPEED	7100 rpm ± 10%
ON LOAD CURRENT	31.2 A
FREE LOAD CURRENT	3.5 A (max)
RATED OUTPUT POWER	1300 W
EFFICIENCY	86.8 %
ARMATURE THERMAL LOAD	0.107 A <sup>2</sup> /mm <sup>3</sup>
RATED TORQUE	2,25 Nm
COGGING TORQUE	0.107 Nm
CLASS OF INSULATION	F
NUMBER OF POLES	14



engine component group

gear box

grease fitting

subject to change

THE INFORMATION CONTAINED IN THIS DRAWING IS THE SOLE PROPERTY OF Laudensch Formtechnik GmbH & Co KG. ANY REPRODUCTION IN PART OR AS A WHOLE WITHOUT THE WRITTEN PERMISSION OF Laudensch Formtechnik GmbH & Co KG IS PROHIBITED.

filename:		weight:	
12100_20_13_000B Lenkantrieb_Variante		15284.01 g	
index	day	name	date/checked
			2023
		signed	30.01.23
		checked	
		scala:	designation:
		1:2	steering drive
		format:	drawing number:
		A3	12100_20_13_000X

Laudensch  
Formtechnik  
D78559 Gosheim  
Am Sturmbühl 6



index