

1	2	3	4	5	6		
motor speed	motor torque	gear reduction	wheel diameter	speed AGV	speed AGV	torque AGV without efficiency loss	torque at AGV wheel tire without efficiency loss
rpm	Nm	i	mm	km/h	m/s	Nm	N at wheel
5510	2,25	36	150	4,33	1,20	81,00	1080,00

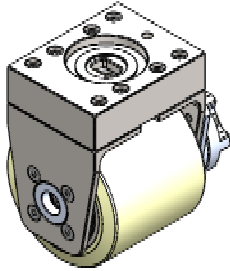
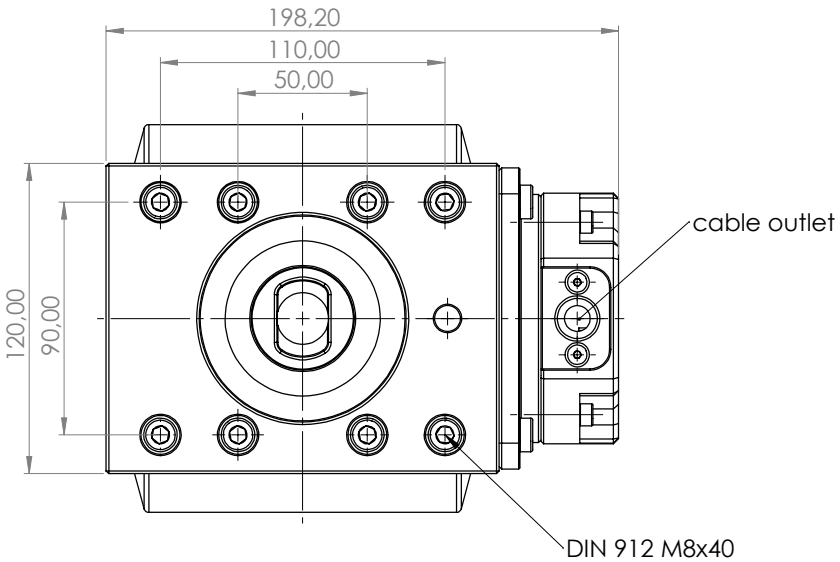
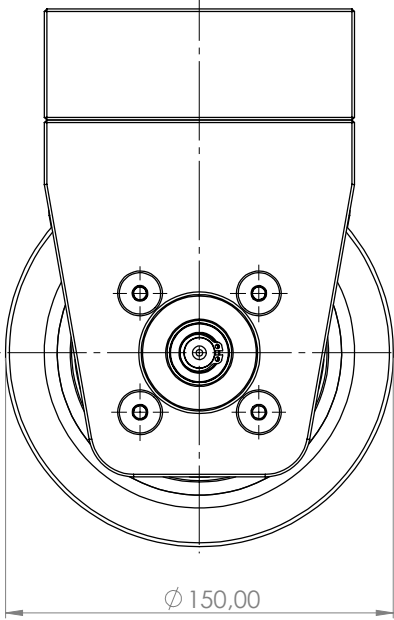
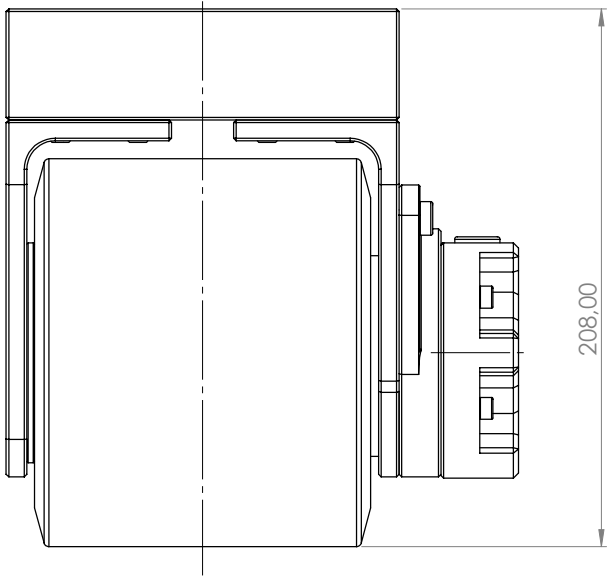
technical data wheel	
Speed	carrying capacity
4 km/h	1950 kg
10 km/h	1100 kg
16 km/h	580 kg

technical data motor		
motor specification		integrated
nominal voltage	V <sub>dc</sub>	48
idle speed	min <sup>-1</sup>	7100
rated speed	min <sup>-1</sup>	5510
rated torque	Nm	2,25
rated power	W	1300
insulation class		F

technical data encoder SICK AFM60I-BBKC262144	
resolution	18bit*12bit (262144x4096)
error limit	0,03°
communication interface	SSI+Sin/Cos
initialisation time	50 ms
position building time	< 1 µs
connection type	plug M12 12 pole radial
supply voltage	4,5 ... 32 V DC
power consumption	< 0,7W (without load)
mechanical execution	blind hollow shaft Ø8 mm
material	stainless steelV2A
protection class	IP 67
operating temperature range	-40°C ... +100°C

technical data brake INTORQ BFK551-04	
power	10,9 W
braking torque	1 / 2 Nm
supply voltage	24 VDC / 103 VDC / 205 VDC

THE INFORMATION CONTAINED IN THIS DRAWING IS THE SOLE PROPERTY OF Laudensch Formtechnik GmbH & Co KG. ANY REPRODUCTION IN PART OR AS A WHOLE WITHOUT THE WRITTEN PERMISSION OF Laudensch Formtechnik GmbH & Co KG IS PROHIBITED.



projection:	gen. tolerances	tolerances plastic molded parts	tolerance	material:		
Metrisch	ISO 2768-mK	DIN 16742-TG4	ISO 14405(E)	heat treatment:		
filename:	12100_20_12_000A INTEGRIERTER RADANTRIEB L36_Datenblatt			surface treatment:		
index	day	name	date/checked	day	name:	Status:
			signed	25.01.23	IP	
			checked			
			scala:	designation:		
			1:2	integrated wheel drive		
			format:	2-stage i=36:1		
			A3	drawing number:		
				12100_20_12_000A		

**Laudenbach**  
Formtechnik  
D78559 Gosheim  
Am Sturmbühl 6

Gear Mounting  
**Laudenbach**  
Formtechnik

index